

The No.1 Brand for Industrial LED Lighting

## High Bay Light



### Feature:

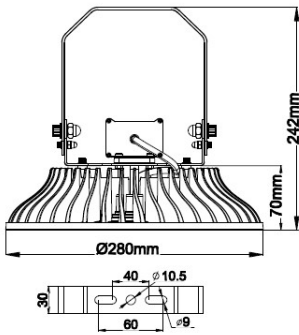
- IP65 for indoor and wet locations
- Philips 3030 LED, 125~130lm/w standard, 150lm/w max.
- Intelligent light system for your industrial areas, 0-10V dimmable for optional
- Optional clear glass cover, clear PC cover and PMMA lens

### Certificates:

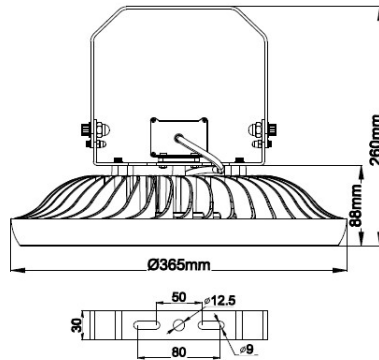
- American market: UL, DLC Premium, cUL
- European market: TUV, GS, CB, CE, RoHS
- Australian market: SAA, CTick

## Dimensions:

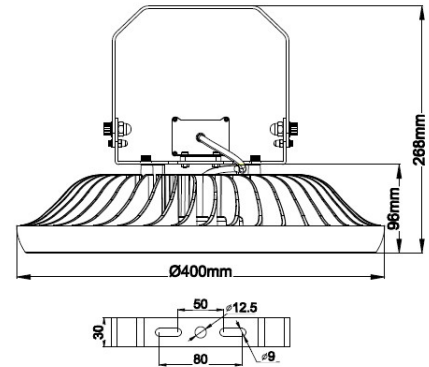
S100W



S150W /S180W



S200W/S240W



## Product Description:



The driver box is separated from the heat sink, good for heat dissipation.

7.6x10mm<sup>2</sup>size, large area for heat dissipation, it is uniform.

Philips SMD3030 chip with 150lm/w max system light efficiency

Double sided water-proof silicone to reach water-proof, moisture-proof and dust proof

PMMA lens or clear glass cover, clear PC cover, precision light distribution

Stainless steel hexagonal screw, anti-corrosion and rust.

## Electrical and Photometric Specification

### Standard lumen (125lm~130lm/W)

Model	Input Voltage	Power (W)	LuminousEfficacy (lm/W)	Flux (lm)	Power Facto	Beam Angle	LED Quatity	CCT (K)	CRI
<b>LM-CNL-100W</b>	AC100-277V 50~60Hz	100	130±5	13000±500	0.95	110°/60°	110°: 140PCS SMD3030	3000 4000 5000 6000	>70
<b>LM-CNL-150W</b>		150	125±5	18500lm±750			110°: 196PCS SMD3030 60°: 252PCS SMD3030		
<b>LM-CNL-180W</b>		180	125±5	22500±900			110°: 196PCS SMD3030 60°: 252PCS SMD3030		
<b>LM-CNL-200W</b>		200	130±5	26000±1000			110°: 252PCS SMD3030 60°: 252PCS SMD3030		
<b>LM-CNL240W</b>		240	125±5	30000±1200			110°: 252PCS SMD3030 60°: 252PCS SMD3030		

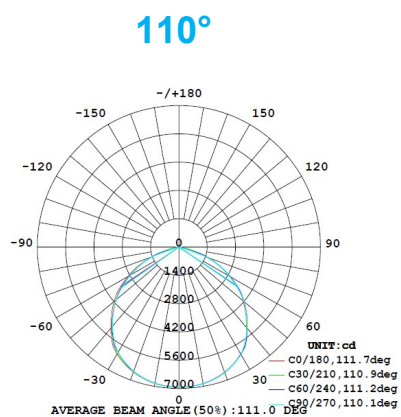
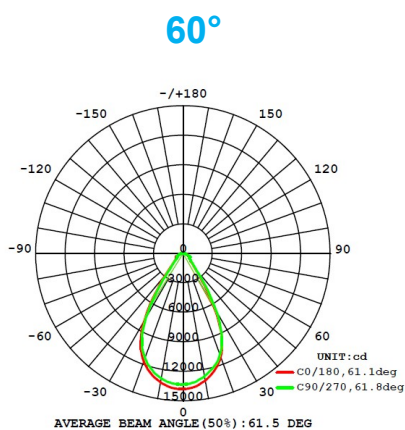
### Lumen Plus (140lm~150lm/W)

Model	Input Voltage	Power (W)	LuminousEfficacy (lm/W)	Flux (lm)	Power Facto	Beam Angle	LED Quatity	CCT (K)	CRI
<b>LM-CNL-150W</b> lumen plus	AC100-277V 50~60Hz	150	140±5	21000lm±750	0.95	110°	252PCS SMD3030	3000 4000 5000 6000	>70
<b>LM-CNL-180W</b> lumen plus		180	140±5	25500±900			252PCS SMD3030		
<b>LM-CNL-200W</b> lumen plus		200	140±5	28000±1000			336PCS SMD3030		
<b>LM-CNL-240W</b> lumen plus		240	140±5	33600lm±1200			336PCS SMD3030		

## Mechanical and Environmental Specification

Model	Working Environment	Storage Maintenance (h)	Lumen Maintenance (h)	Housing Material	Product Size (mm)	Carton Size (mm)	N. W (kg)	G. W (kg)
LM-CNL-100W	-40°C~+50°C 0%~90%RH	-40°C~+85°C	>50000	Die casting aluminum	Φ280*143	340*340*200	3.5	4.8
LM-CNL-150W					Φ365*156	420*420*240	7	8.5
LM-CNL-150W lumen plus					Φ365*156	420*420*240	7	8.5
LM-CNL-180W					Φ365*156	420*420*240	7	8.5
LM-CNL180W lumen plus					Φ365*156	420*420*240	7	8.5
LM-CNL-200W					Φ400*166	460*460*250	9	10.8
LM-CNL-200W lumen plus					Φ400*166	460*460*250	9	10.8
LM-CNL-240W					Φ400*166	460*460*250	9	10.8
LM-CNL-240W lumen plus					Φ400*166	460*460*250	9	10.8

## Light Distribution Curve



## Installation

Hook mounted



Pipe



Ceiling mounted



Wall mounted



!We reserve the right to revise or update its product specificationswithout notice.